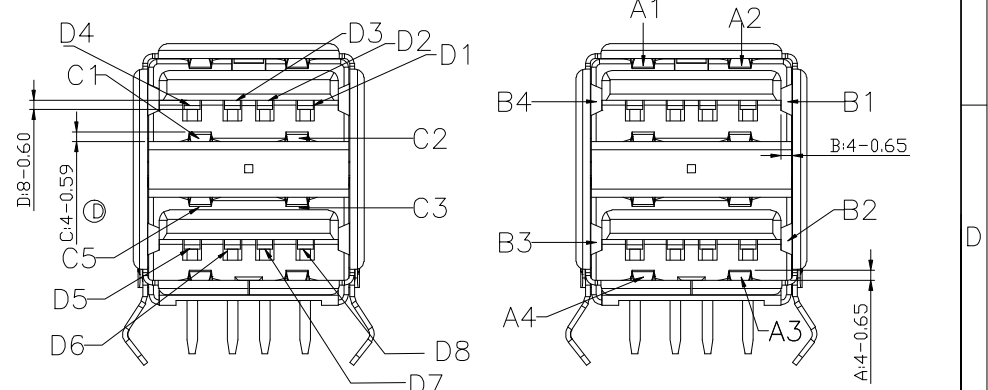


REV.	DATE	ECN NO.	MODIFICATION	APPROVER
E	2015/07/03	RD00315070301	依客户要求变更材质	JACK
F	2015/07/15	RD00315071501	依客户要求更新说明	Jason
F1	2016/02/16	RD00316021601	依客户要求变更外壳上层弹片角度, 优化插拔力	JACK

- Electrical Characteristics:
 - Voltage Current rating:2.1AMP.Max.(Only suitable for the connector.)
 - Voltage rating: 30V rms max. ⑥
 - Dielectric Withstanding Voltage:AC 500V R.M.S ⑦
 - Insulation Resistance:500MΩ MIN
 - Contact Resistance:30mΩ MAX
- Environmental:
 - Operating Temperature:-40°C to 85°C ⑧
- Mechanical Characteristics:
 - 3.1.Durability Cycles:1500 insertion/extraction Cycles,Conductivity OK
 - 3.2.Insertion Force:35N MAX(initial value) ⑨ (ADAPTIVE ATOM USB PLUG)
 - 3.3.Extraction Force:10N Min ⑩ (Under our examination environment,After Durability Cycles:1500 insertion/extraction Cycles,Over10N/ extraction)
- Material
 - Housing:PBT White UL94v-0
 - Terminal:C5210R-H,T=0.25mm,plating: Underplate:50-120u"nickel.Contact area:1u"min gold ⑪ Solder tails:120u"min bright tin over nickel ⑫
 - ⑬ Shell:C2680R-EH,T=0.30mm Contact area,Plating Ni:50u"-120u" ⑭ Cover:SPCC,T=0.30mm,Contact area,Plating Ni:50u"-120u" ⑮
 - ⑯ Clip:C2680R-EH,T=0.3mm Contact area,Plating Ni:50u"-120u" ⑰



GENERAL TOLERANCE				UNITS mm	NAME: USB		ATOM [®] 深圳市爱特姆科技有限公司 SHENZHEN ATOM TECHNOLOGY CO., LTD.		
SELECT	✓				MAT'L	PART NO: USB304FA-A2009307		TITLE: USB A/F 4P DIP 90' 双层 无弹白胶 铜壳	
TOL. ON.	1	2	3	FINISH		APPD: Peter	DWG NO. ATOM-A02331		
X.XXX	±0.15	±0.05	±0.15		Q'TY	CHKD: Jason	SCALE 1:1	SHEET 1/1	REV F1
X.XX	±0.25	±0.13	±0.25	DR: jack					
X.X	±0.30	±0.25	±0.50						
X.	±0.38	±0.38	±1.00						
ANGLE	±4'								